

Track System Specification

HTSR-80

— H-Track series

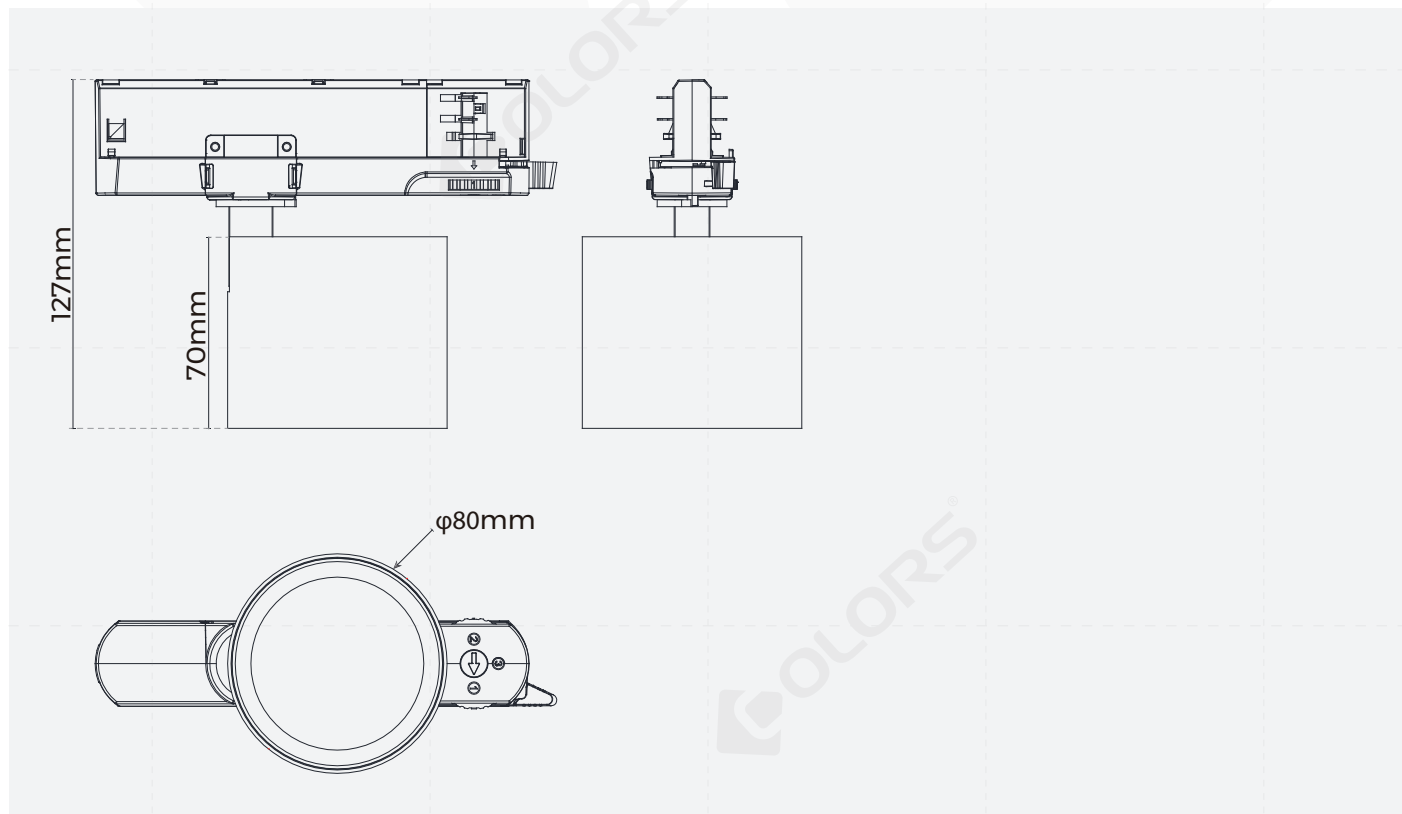


【Basic Parameters】

- Material: AL1070, spraying surface
- Coating: Black (RAL9005)、 White(RAL9003)
- IP grade: IP20
- Beam angle: 24°/40°/60° optional
- CCT: 3000/4000/3000-4000-5000K optional
- CRI: 90
- SDCM(Light source): <3 Step
- Input voltage: AC220-240V
- Working temperature: -15℃ -35℃
- Lighting direction: Downward
- Dimming method: Non-dimming/DALI dimming optional
- Application: Indoor
- Certification: CE, UKCA, ROHS, Reach
- Warranty: 5 years



【Dimension】



[Luminaire Parameters]

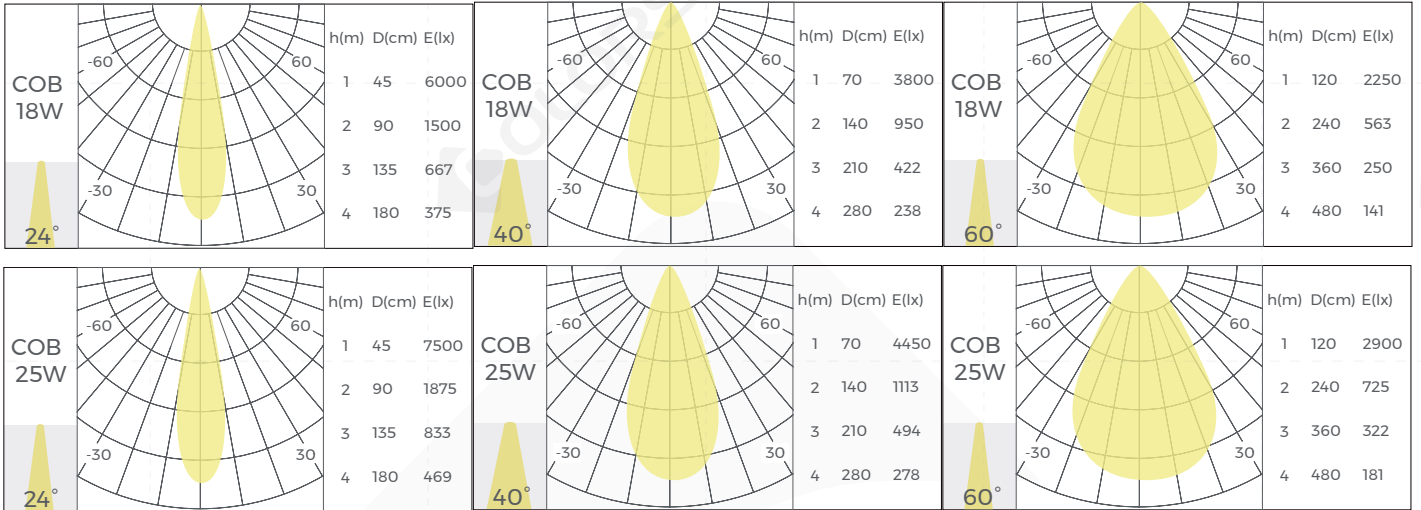
Version	Model	Size	Input Voltage (V)	Type Power (W)	CRI	SDCM	Beam Angle	CCT	Lumen (LM)
Normal	HTSR-80	φ80*70mm	220-240 VAC	18	>90	≤3	24°	4000K	2250
							40°	4000K	2250
							60°	4000K	2070
				25			24°	4000K	3000
							40°	4000K	3000
							60°	4000K	2750
3 CCT tunable (Dial switch)	HTSR-80	φ80*70mm	220-240 VAC	25	>90	≤5	24°	3000K	2075
								4000K	2250
								5000K	2250
							40°	3000K	2000
								4000K	2200
								5000K	2175
				60°			3000K	2000	
							4000K	2000	
							5000K	2175	

Note:

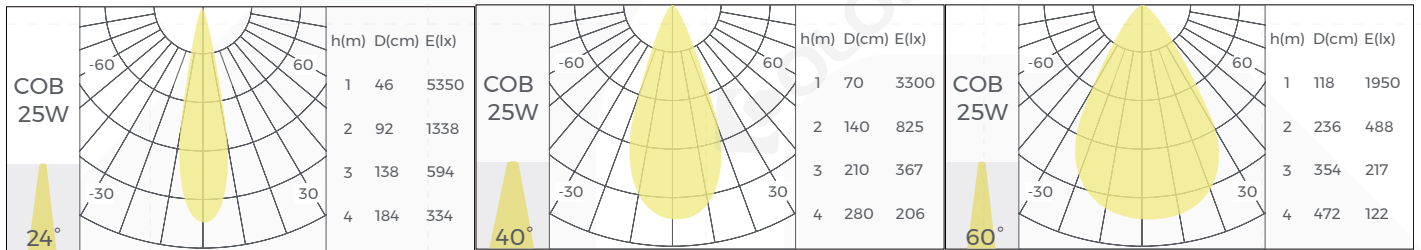
- The above parameters are tested based on the light source with Color Rendering Index Ra90 and 4000K for the Normal version; Luminous efficiency & luminous flux at 3000K = 3000K value × 0.9
- For CCT Tunable version:
The above parameters are tested based on the light source with Color Rendering Index Ra90 and all CCT;
- Assembling either honeycomb or high anti-glare shield will reduce luminous efficacy, UGR and beam angle.
- The tolerance of output data can vary up to 10%;
- The output data is typical value.

[Optical Parameter]

- Normal



- 3 CCT tunable(Dial switch)



[Packing]

Model	Size (mm/box)	Quantity /box	Quantity /carton	NW (kg/box)	NW (kg/carton)	GW (kg/carton)	Size (mm/carton)
TLS-HTSR80-XXX	275*115*150	1	8	0.5	4	5.5	570*480*175

[Attentions]

- 1、 Non-professionals are prohibited from installing, disassembling and repairing the product.
- 2、 Avoid scratching, distortion and irregular bending of the product during installation; otherwise it may cause irreparable damage to the product.
- 3、 Please use professional cutting tools when cutting
- 4、 Do not use any acid or alkaline adhesive to fix products
- 5、 The product is only suitable for indoor dry places, can not be used in outdoor, seaside or wet environment.